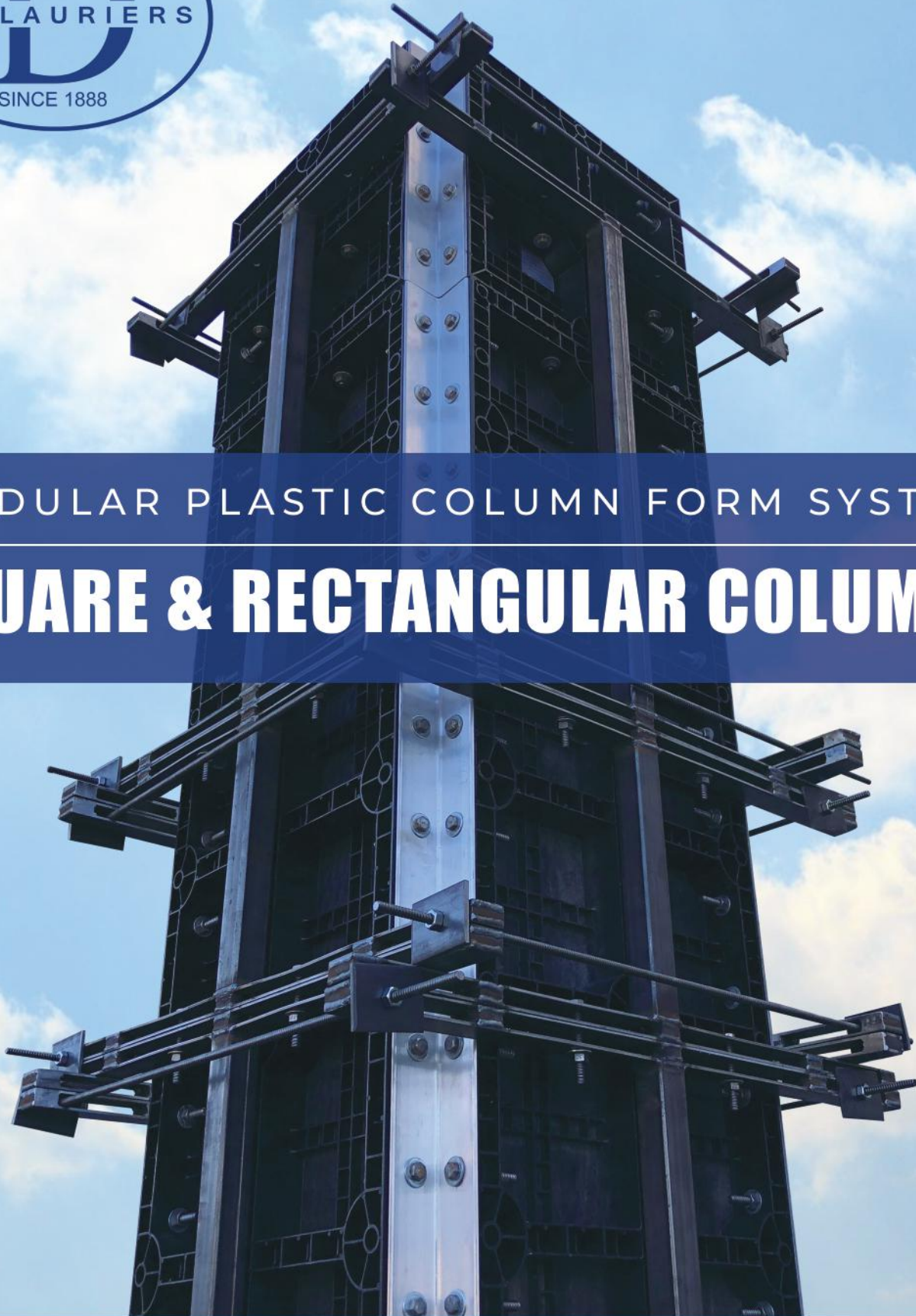




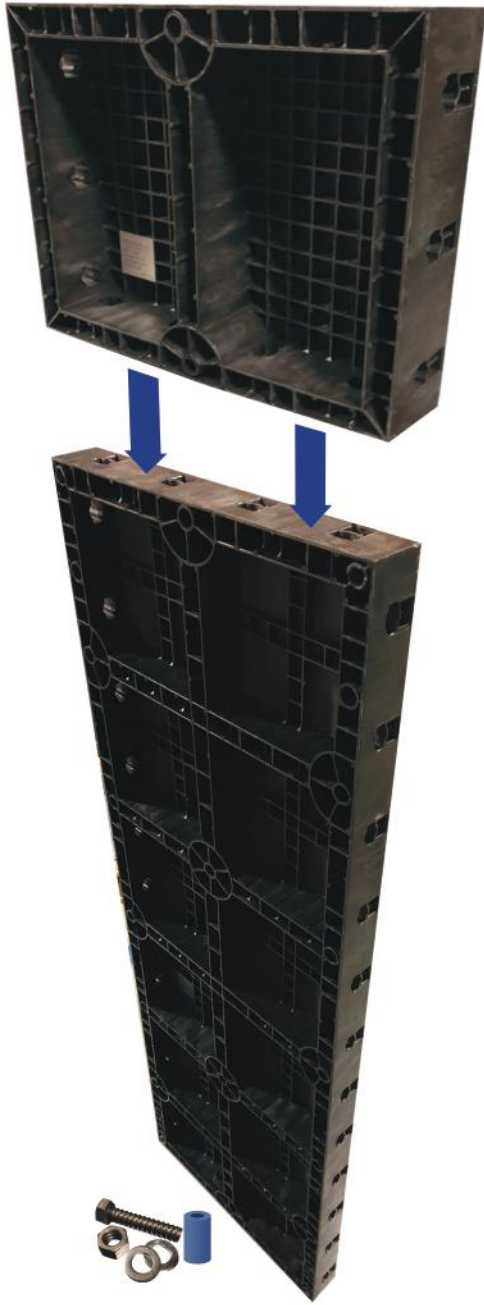
MODULAR PLASTIC COLUMN FORM SYSTEM

SQUARE & RECTANGULAR COLUMNS



 www.deslinc.com
web

 800-743-4106
phone



The **Modular Plastic Column Form System** (MPCFS) consists of:

- Engineered plastic panels.
- 8", 10", 12", 18" and 24" nom. widths.
- Over 50 column combinations.

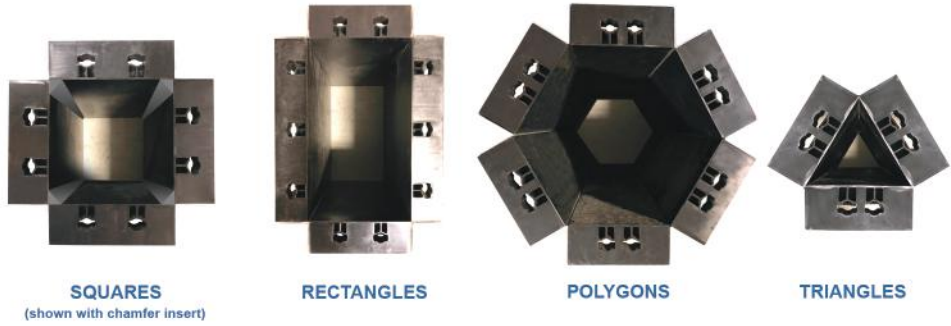


Table below shows rate of pour for forms over 12" a side when used with the Modular Steel Waler System. Forms under and including 12" can be used without walers .

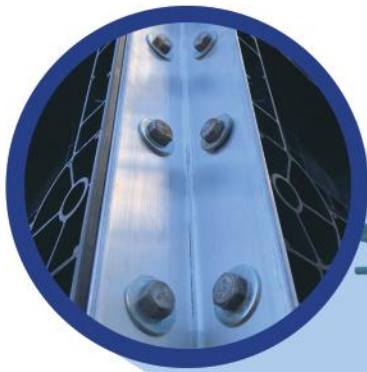
TEMPERATURE Degrees Fahrenheit	FT PER HOUR 1150 PSF
40	4 FT
50	5 FT
60	6 FT
70	7 FT
80	8 FT
90	10 FT

Max Rate of Pour is based on ACI Committee 347 - Max rate of pour = 8 ft./hr



STRENGTH

Metal reinforced corner pieces gives the column maximum strength and stability.



EASY ASSEMBLY

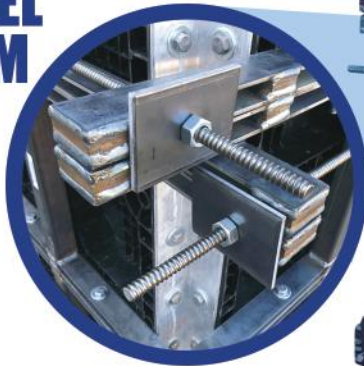
Common hardware makes it simple to assemble and strip.

WEATHERPROOF

Will not warp, rust or swell like plywood or steel. Forms are molded with an engineered plastic making them UV stable.

MODULAR STEEL WALER SYSTEM

External modular steel walers eliminates need for clamps, lumber and ties.

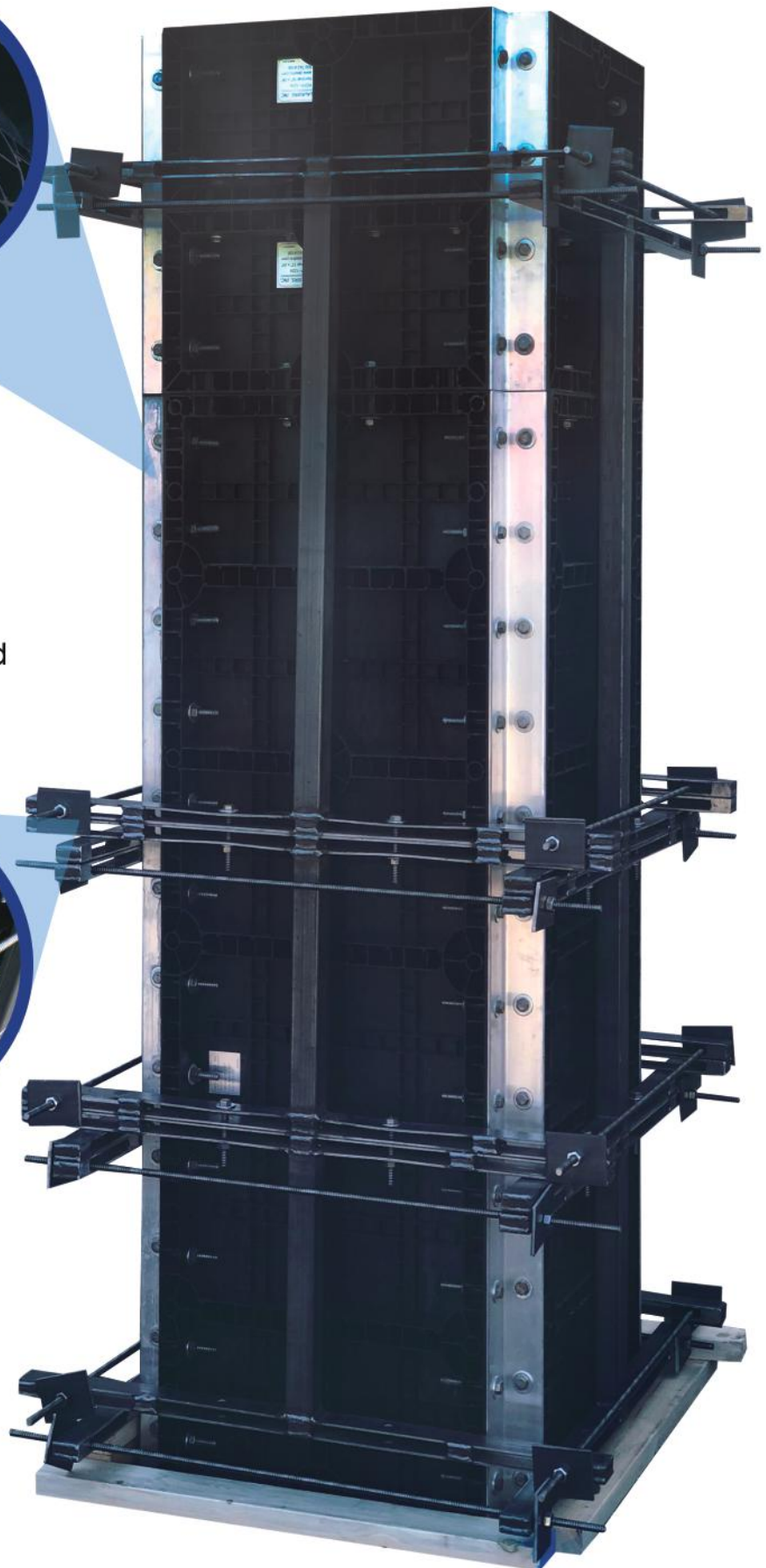


CHAMFER INSERT

Intergrated 3/4" chamfer insert available to produce belveled corners.

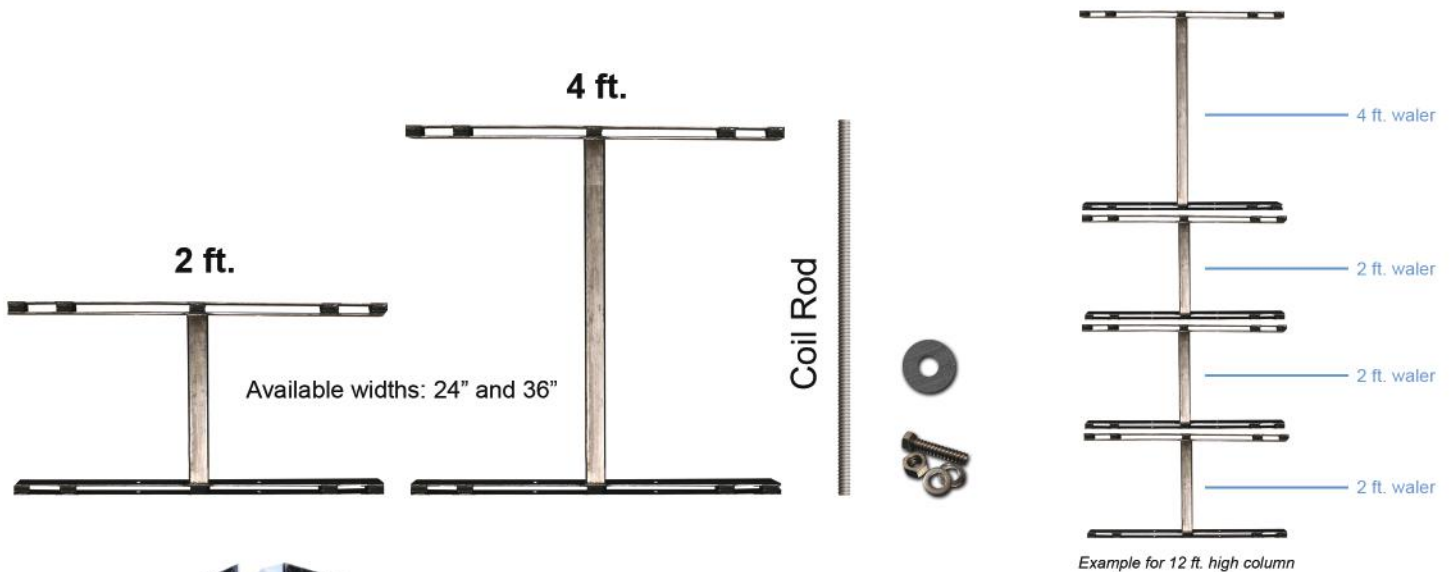
REUSE

Forms can be used several times with proper care. Panels are lightweight and can be neatly stacked for storage.



MODULAR STEEL WALER SYSTEM

The **Modular Steel Waler System** consists of 2 and 4 ft. (height) heavy duty steel walers, available in two widths: 24" and 36", coil rod, nuts, bolt and washers.



VERSATILE

Can be adjusted to use on any of our form combinations. Adaptable to other types of forms, such as wood.

EASY TO PRE-ASSEMBLE

The 2 and 4 ft. waler brackets bolt together using two bolts, washers and nuts.

REUSABLE

Waler brackets can be easily removed and ready to install on next column form.

HASSLE FREE

Standard sizes made right so there is no need for measuring, cutting or nailing. Lock in place using \ coil rod, nut and washer.